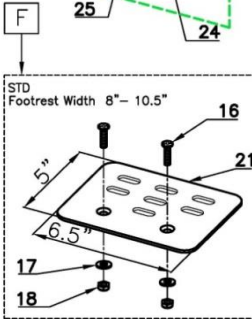
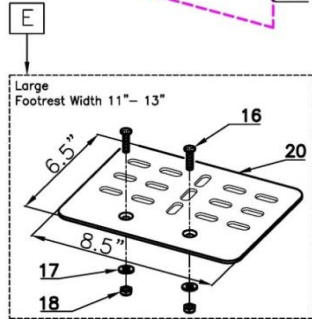
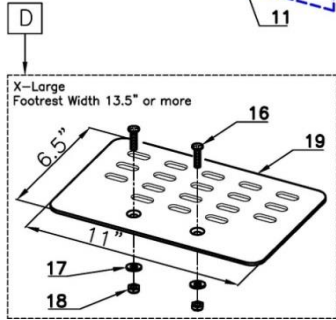
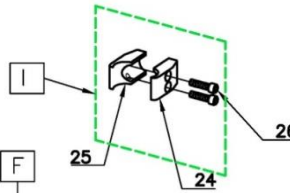
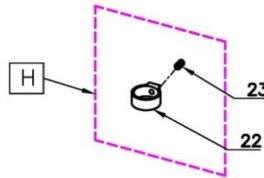
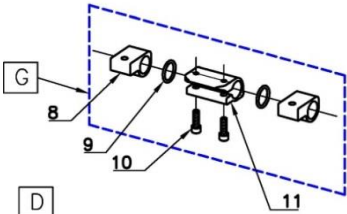
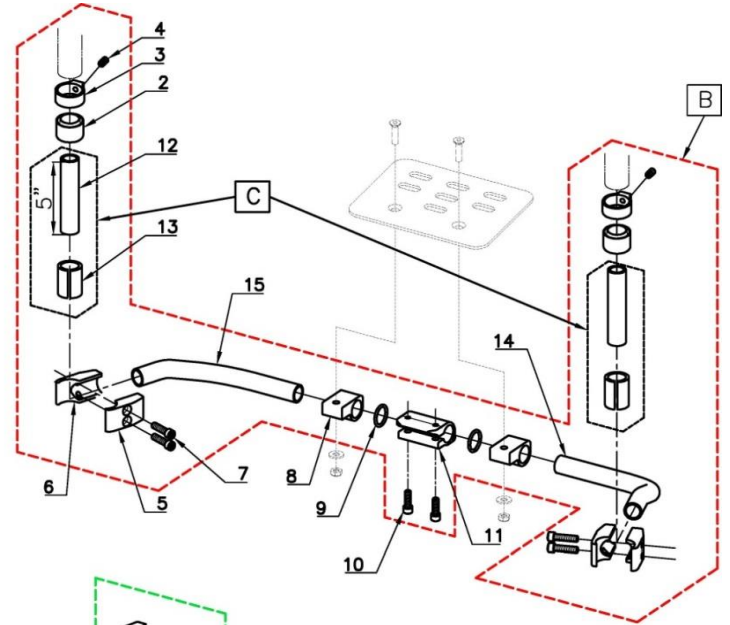
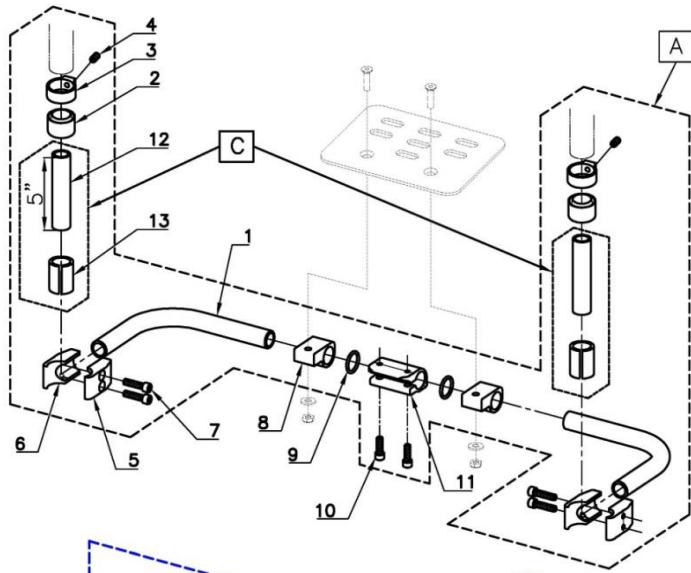


FOOTREST FLIP-BACK



| POS | Assy # | # | Parts # | QTY | Color | Remark | MSRP | NOTE |
|-----|----------|----|----------|-----|-------|---------------------------|---------|------------|
| A | 2300-01A | 1 | | 2 | Blk | Need Footrest Width | per set | 1set/chair |
| | | 2 | 0082-300 | 2 | Blk | Plastic Slip Fit Bushing- | | |
| | | 3 | 0168-301 | 2 | Blk | Footrest Ring | | |
| | | 4 | 0256-301 | 2 | Sil | 1/4"-28 L:1/2" SS | | |
| | | 5 | 0472-105 | 2 | Blk | Inner Clamp | | |
| | | 6 | 0472-110 | 2 | Blk | Outer Clamp | | |
| | | 7 | 0110-300 | 4 | Sil | 1/4"-20 L:1" SHCS | | |
| | | 8 | 0472-125 | 2 | Blk | Flipback Footrest Mount | | |
| | | 9 | 0472-302 | 2 | Blk | O-Ring | | |
| | | 10 | 0501-300 | 2 | Sil | 1/4"-20 L:3/4" SHCS | | |
| | | 11 | 0472-121 | 1 | Blk | Flipback Footrest Clamp | | |
| | | 12 | 0416-080 | 2 | Blk | Flipback Extension Tube | | |
| | | 13 | 0472-115 | 2 | Blk | Flipback Footrest Reducer | | |
| B | 2300-01B | 14 | | 1 | Blk | Need Footrest Width (L) | per set | 1set/chair |
| | | 15 | | 1 | Blk | Need Footrest Width (R) | | |
| | | 2 | 0082-300 | 2 | Blk | Plastic Slip Fit Bushing- | | |
| | | 3 | 0168-301 | 2 | Blk | Footrest Ring | | |
| | | 4 | 0256-301 | 2 | Sil | 1/4"-28 L:1/2" SS | | |
| | | 5 | 0472-105 | 2 | Blk | Inner Clamp | | |
| | | 6 | 0472-110 | 2 | Blk | Outer Clamp | | |
| | | 7 | 0110-300 | 4 | Sil | 1/4"-20 L:1" SHCS | | |
| | | 8 | 0472-125 | 2 | Blk | Flipback Footrest Mount | | |
| | | 9 | 0472-302 | 2 | Blk | O-Ring | | |
| | | 10 | 0501-300 | 2 | Sil | 1/4"-20 L:3/4" SHCS | | |
| | | 11 | 0472-120 | 1 | Blk | Center Joint Clamp | | |
| | | 12 | 0416-080 | 2 | Blk | Flipback Extension Tube | | |
| | | 13 | 0472-115 | 2 | Blk | Flipback Footrest Reducer | | |

| POS | Assy # | # | Parts # | QTY | Color | Remark | MSRP | Note |
|-----|----------|----|----------|-----|-------|---------------------------|---------|------------|
| C | 2300-01C | 12 | 0416-080 | 2 | Blk | Flipback Extension Tube | per set | 1set/chair |
| | | 13 | 0472-115 | 2 | Blk | Flipback Footrest Reducer | | |
| D | 2300-01D | 16 | 0437-300 | 2 | Sil | 1/4"-20 L:1" FHPS | per set | 1set/chair |
| | | 17 | 0116-300 | 2 | Sil | 1/4" Washer | | |
| | | 18 | 0277-300 | 2 | Sil | 1/4"-20 Nylon HLN | | |
| | | 19 | 0416-120 | 1 | Blk | X-Large | | |
| E | 2300-01E | 16 | 0437-300 | 2 | Sil | 1/4"-20 L:1" FHPS | per set | 1set/chair |
| | | 17 | 0116-300 | 2 | Sil | 1/4" Washer | | |
| | | 18 | 0277-300 | 2 | Sil | 1/4"-20 Nylon HLN | | |
| | | 20 | 0416-113 | 1 | Blk | Large | | |
| F | 2300-01F | 16 | 0437-300 | 2 | Sil | 1/4"-20 L:1" FHPS | per set | 1set/chair |
| | | 17 | 0116-300 | 2 | Sil | 1/4" Washer | | |
| | | 18 | 0277-300 | 2 | Sil | 1/4"-20 Nylon HLN | | |
| | | 21 | 0416-112 | 1 | Blk | STD | | |
| G | 2300-01G | 8 | 0472-125 | 2 | Blk | Flipback Footrest Mount | per set | 1set/chair |
| | | 9 | 0472-302 | 2 | Blk | O-Ring | | |
| | | 10 | 0501-300 | 2 | Sil | 1/4"-20 L:3/4" SHCS | | |
| | | 11 | 0472-120 | 1 | Blk | Flipback Center Clamp | | |
| H | 2200-011 | 22 | 0168-301 | 1 | Blk | Footrest Ring | per set | 2set/chair |
| | | 23 | 0256-301 | 1 | Blk | 1/4"-28 L:1/2" SS | | |
| I | 2300-011 | 24 | 0472-105 | 1 | Blk | Inner Clamp | per set | 2set/chair |
| | | 25 | 0472-110 | 1 | Blk | Outer Clamp | | |
| | | 26 | 0110-300 | 2 | Sil | 1/4"-20 L:1" SHCS | | |